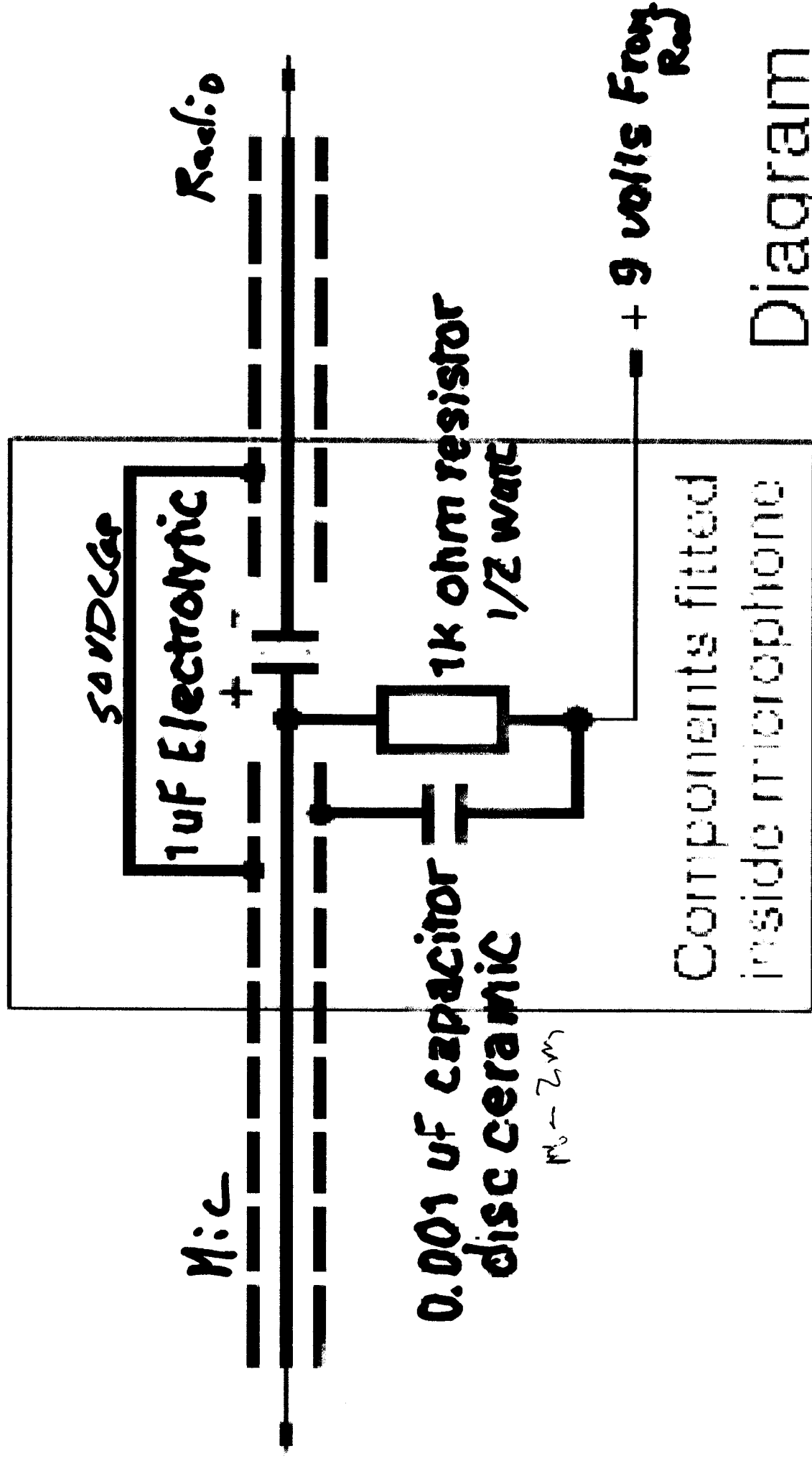


ification to enable lcom microphone's
be used on non lcom Tranceivers



Diagram